

# SET-UP SHEET

XRAY T2 '007

RACE	2007 JMRCA TC EXP		
TRACK	YATABE ARENA		
NAME	Kazuo Tanahashi		
CITY / COUNTRY	Shizuoka	Japan	
CONTACT			

DATE	12/12/2007	TEMPERATURE / °F or °C	AIR	20	TRACK
------	------------	------------------------	-----	----	-------

QUALIFYING POSITION	BEST LAPTIME / sec	FINAL POSITION	RACE LENGTH / minutes
10		8	5minutes

TRACK CONDITION	<input type="checkbox"/> TECHNICAL	<input type="checkbox"/> CARPET	<input checked="" type="checkbox"/> ASPHALT
	<input type="checkbox"/> MIXED	<input type="checkbox"/> FAST	
TRACTION	<input type="checkbox"/> LOW	<input type="checkbox"/> MEDIUM	<input checked="" type="checkbox"/> HIGH

FRONT	REAR
TRANSMISSION	

DIFFERENTIAL					
LOOSE	MEDIUM	TIGHT	LOOSE	MEDIUM	TIGHT
<input type="checkbox"/>	<input type="checkbox"/>	<input type="checkbox"/>	<input type="checkbox"/>	<input checked="" type="checkbox"/>	<input type="checkbox"/>

ONE WAY DIFFERENTIAL	<input checked="" type="checkbox"/> YES	MIDDLE ONE WAY PULLEY	<input checked="" type="checkbox"/> FIXED	<input type="checkbox"/> ONE-WAY
SOLID ONE WAY DIFF.	<input type="checkbox"/> YES			
SOLID AXLE	<input type="checkbox"/> YES			

PINION / T	26	SPUR GEAR / T	114
FINAL DRIVE RATIO	7.454	ROLLOUT	0

FRONT	SHOCKS	REAR
<input checked="" type="checkbox"/> ALU		<input checked="" type="checkbox"/> ALU
		<input type="checkbox"/> PLASTIC

XRAY SPRINGS					
#308393	Super Soft	<input type="checkbox"/> YELLOW	<input type="checkbox"/>	(D=1.4)	14 lb
#308384		<input type="checkbox"/> BLUE-GREEN	<input type="checkbox"/>	(D=1.5)	15 lb
#308394	Soft	<input type="checkbox"/> WHITE	<input type="checkbox"/>	(D=1.5)	17.5 lb
#308385		<input type="checkbox"/> LIGHT-BLUE	<input type="checkbox"/>	(D=1.6)	20 lb
#308395	Soft Medium	<input type="checkbox"/> BLUE	<input type="checkbox"/>	(D=1.6)	22.5 lb
#308386		<input type="checkbox"/> DARK-BLUE	<input type="checkbox"/>	(D=1.7)	25 lb
#308396	Medium	<input type="checkbox"/> VIOLET	<input type="checkbox"/>	(D=1.7)	28 lb
#308387		<input type="checkbox"/> LIGHT-PURPLE	<input type="checkbox"/>	(D=1.8)	30 lb
#308397	Medium Hard	<input type="checkbox"/> PURPLE	<input type="checkbox"/>	(D=1.8)	33 lb
#308388		<input type="checkbox"/> LIGHT-RED	<input type="checkbox"/>	(D=1.9)	35 lb
#308398	Hard	<input type="checkbox"/> RED	<input type="checkbox"/>	(D=1.9)	38 lb

silver	OTHER SPRING	gold		
350	OIL / W	250		
	LENGTH / mm			
	PRELOAD / mm			
	REBOUND %			
<input type="checkbox"/> YES	<input type="checkbox"/> NO	FOAM INSERTS	<input type="checkbox"/> YES	<input type="checkbox"/> NO
<input type="checkbox"/> YES	<input type="checkbox"/> NO	O-RING ON SHAFT	<input type="checkbox"/> YES	<input type="checkbox"/> NO

<input type="radio"/> OPENED	<input checked="" type="radio"/> CLOSED	HOLES IN PISTON
------------------------------	---	-----------------

1.4	THICKNESS / mm	ANTI-ROLL BAR	THICKNESS / mm	1.2
-----	----------------	---------------	----------------	-----

controlled [sai v32]	TIRES	controlled [sai v32]
	DIAMETER / mm	
controlled [sai t4.5]	INSERTS	controlled [sai t4.5]
	ADDITIVE	
FX-2		FX-2

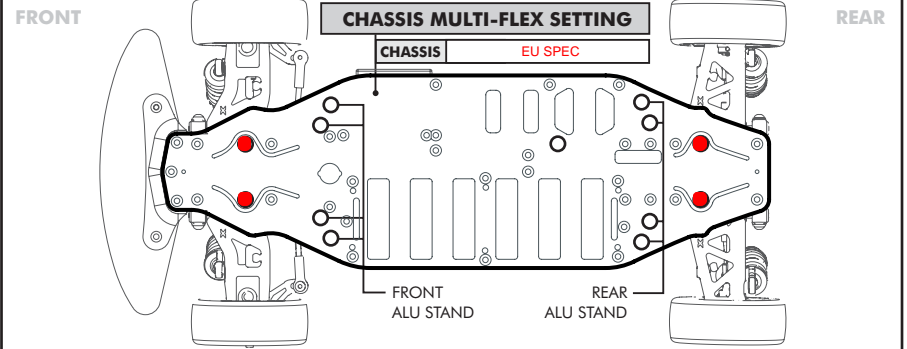
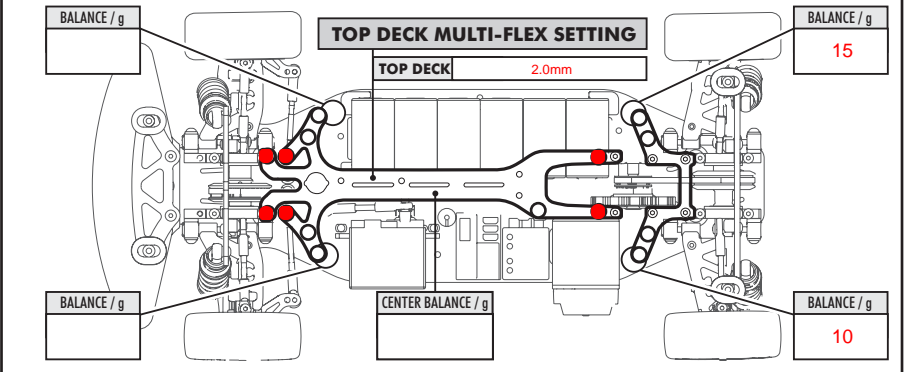
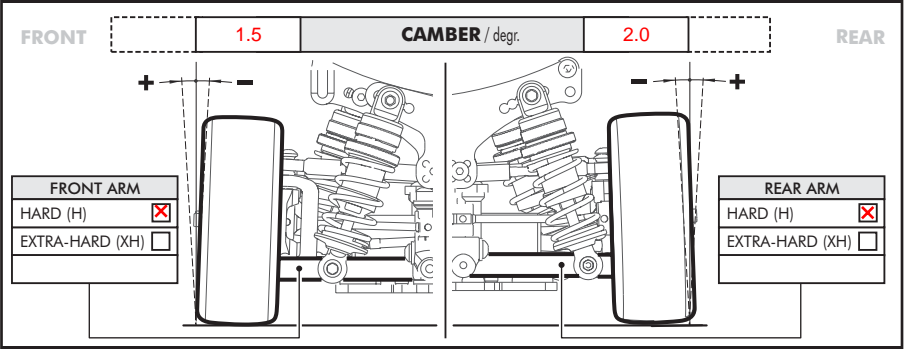
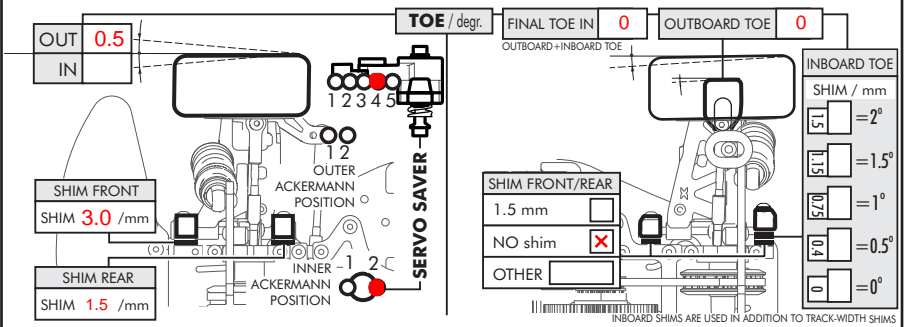
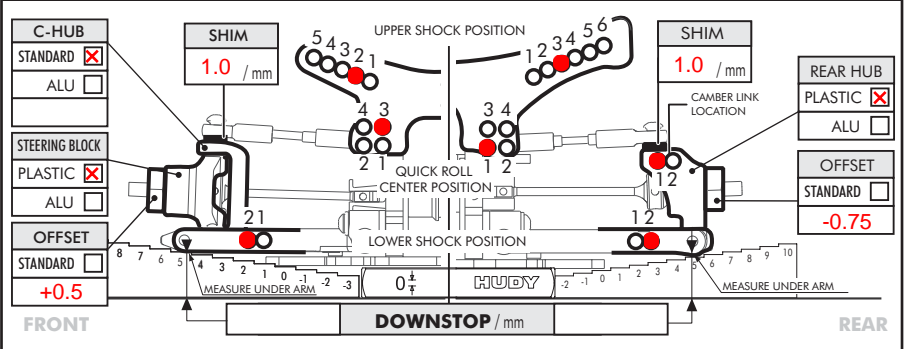
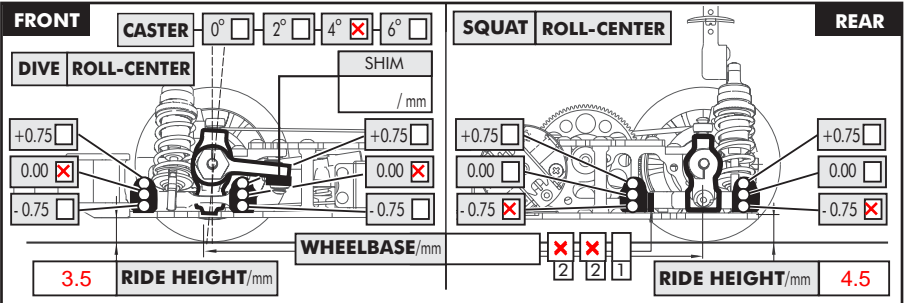
FRONT LEFT	FRONT RIGHT	TREATED AREA	REAR LEFT	REAR RIGHT
------------	-------------	--------------	-----------	------------

controlled [sai]	WHEELS	controlled [sai]
S <input type="checkbox"/> M <input type="checkbox"/> H <input type="checkbox"/>	HARDNESS	S <input type="checkbox"/> M <input type="checkbox"/> H <input type="checkbox"/>

MOTOR	check point	ARMATURE	6*2	TIMING	12deg
	gold	+ SPRING	-	capper	
	silver	+ BRUSH FACE	-	silver	
		+ BRUSH COMP.	-		

ESC	KO VFS-1 C3	BATTERIES	IB4200 VR1XWC
BODY	ALEX LX-250 Light Weight	WING	Nomal

COMMENTS  
 4cells battery position [backward]  
 receiver battery & AMS [forward]  
 rebound front[3.0mm] rear[3.5mm]  
 rear upright[kyosyo stallion 0deg]  
 rear shockcut 1/2" 1/4"



●  -APPLIED S-SOFT M-MEDIUM H-HARD