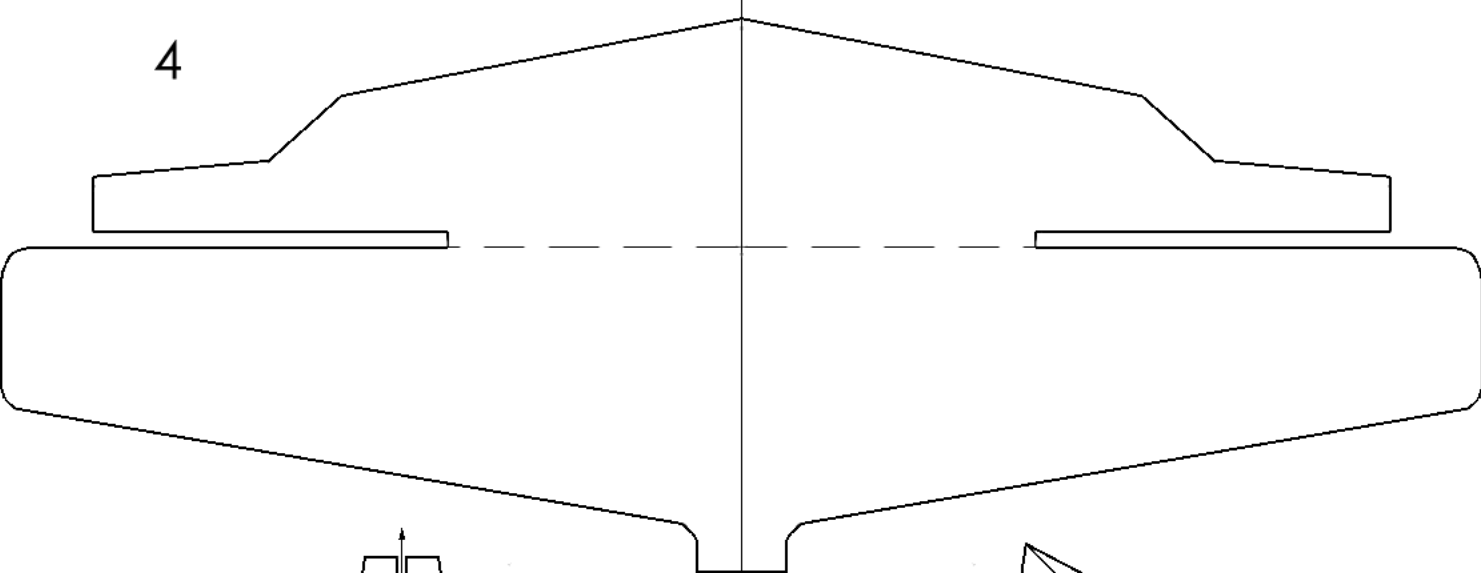
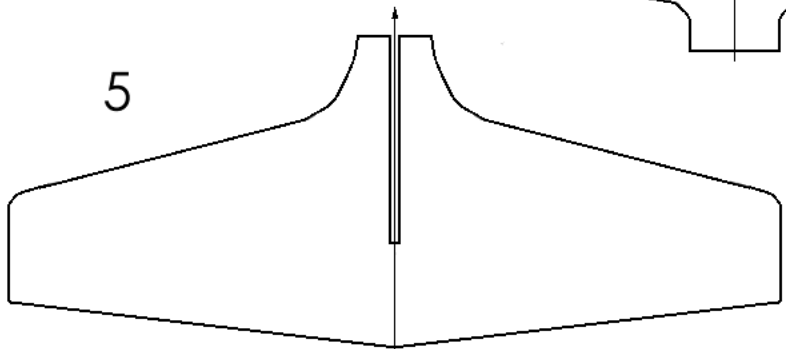


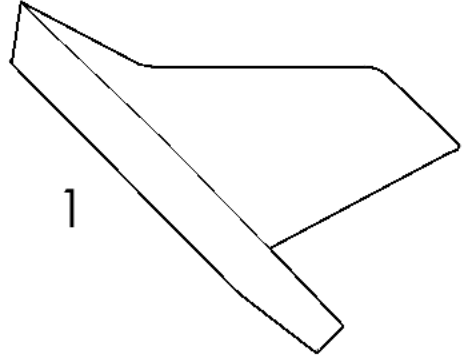
4



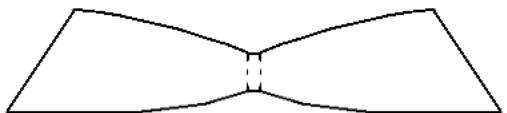
5



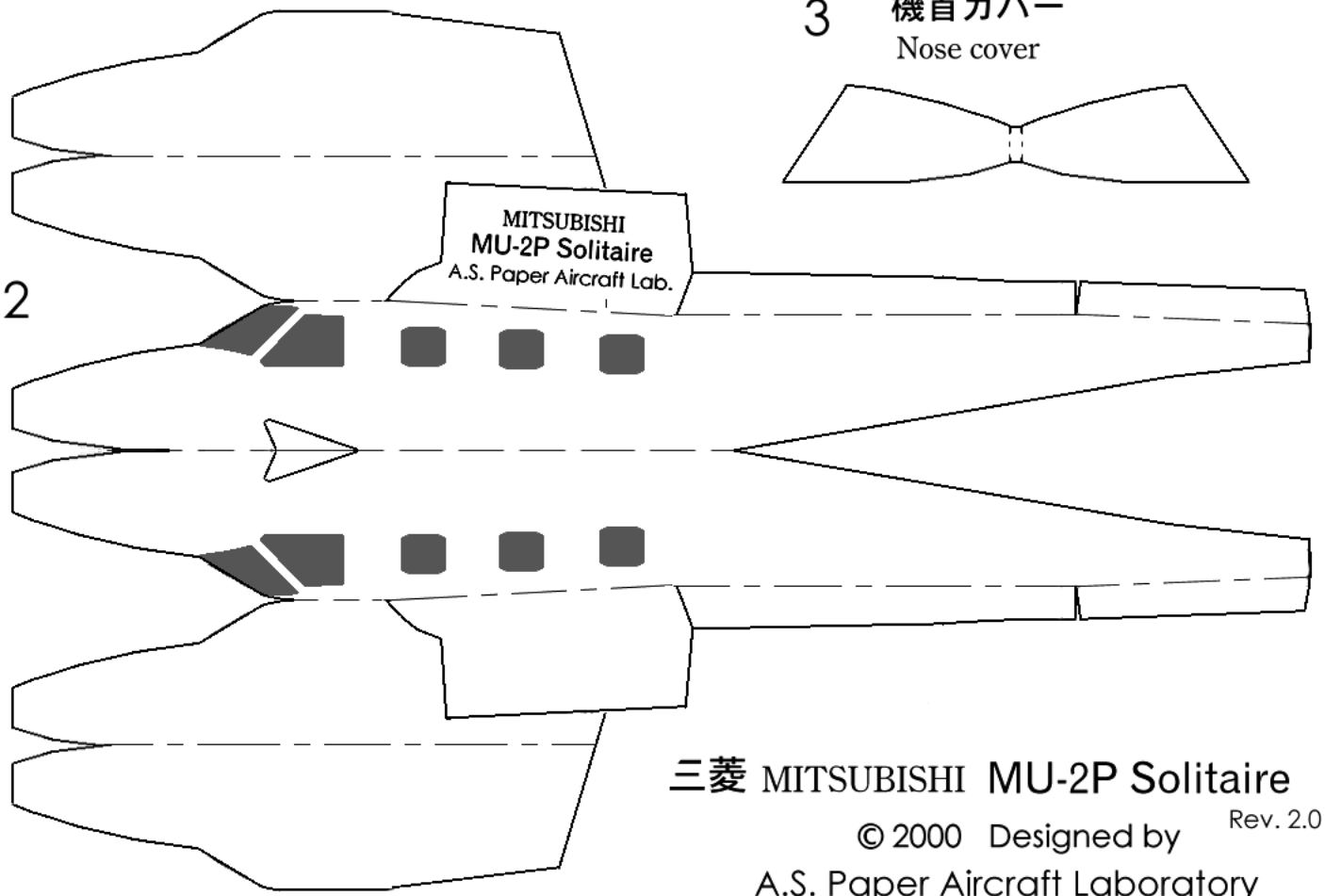
1



3 機首カバー  
Nose cover



2



三菱 MITSUBISHI MU-2P Solitaire

© 2000 Designed by Rev. 2.0

A.S. Paper Aircraft Laboratory

<http://www.infosnow.ne.jp/~suzuki-a/>